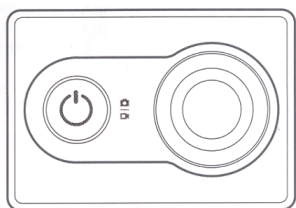
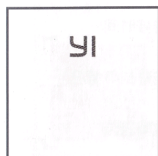


## Getting started with Yi Action Camera

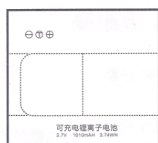
Included:



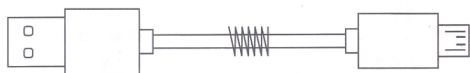
Yi Camera x1



Users guide x1

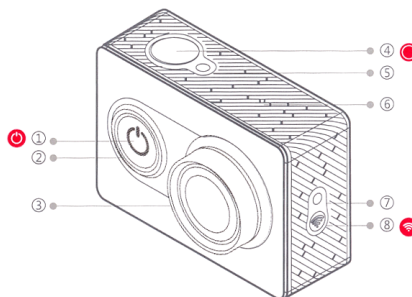


Battery x1



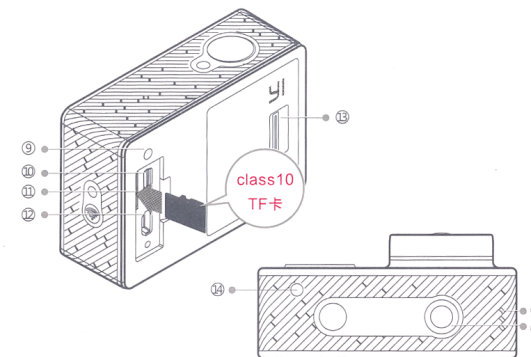
Micro-USB cable x1

## Operating of a camera



- ① power-ON button/switching of the mode
- ② ring-shaped LED indicator
- ③ lens
- ④ video/photo button
- ⑤ status indicator
- ⑥ microphone
- ⑦ WIFI indicator
- ⑧ power-ON WIFI/button for Bluetooth

## Operating of a camera

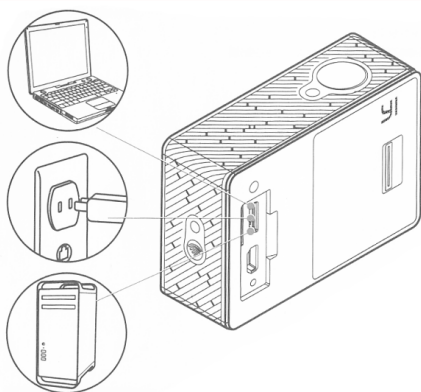


- ⑨ status indicator
- ⑩ micro-USB Connector
- ⑪ socket for TF Card
- ⑫ socket for HDMI
- ⑬ class10 TF卡
- ⑭ battery cover
- ⑮ status indicator
- ⑯ holes for dynamics
- ⑰ slot for monopod

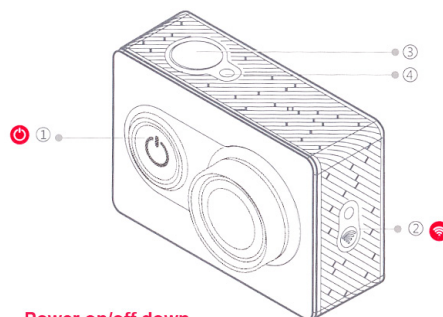
If you do not use high-quality TF a card (max. Supports a card on 64 Gg), it can effect quality of filming or cause its interruption.

## Charging

For additional charge it is possible to connect USB cable to the power adapter or to the PC. It is recommended to use adapters 5V/1.5A and more portable power units.



## Main Operations



- 1) **Power on/off down**  
Power On: press the button  
Power Off: press the button for longer (if unloaded, the red indicator lights up)
- 2) **Connection/shut down of WIFI**  
Connecting to WIFI: press the button and you are connected/be disconnected from WIFI. After successful connection to WIFI, the dark blue indicator will light up.

Switching-off WIFI: press the button, and you at once are connected/be disconnected from WIFI. The indicator blinks 5 times and once extinguished.

## Main Operations

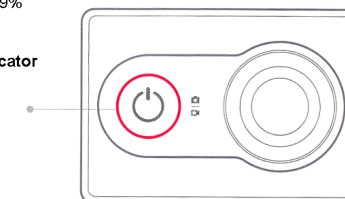
- 3) **Switching of a mode**  
After switch on of the camera, push a button power On to change a mode photo/video;

**Photo:** factory adjustments of a mode for operating of camera after loading by default, (they can be changed through the mobile app.), press the button of a photo/video - now is possible to take a picture;

**Video:** push a button power on for switching in a mode of video (red indicators will inform that you are switched into videomode), press the button of a photo/video and it is possible to remove now (in this case red indicators will blink). Once again press the button of a photo/video and you stop filming.

- 4) **Color of the LED indicator indicates charging level**  
blue: 50%-100%  
purple: 15%-49%  
red: 0-14%

The LED indicator



## Yi Sport Camera App

### 5) Installation on mobile Yi Sport Camera Application

System requirements of phone Android 4.1 and above or IOS 7. For installation on mobile phone Yi Camera of the application, scan a QR-code which is from the right side. Follow the further instructions for completion of installation and successful interface of the chamber with mobile.



### 6) Firmware Update

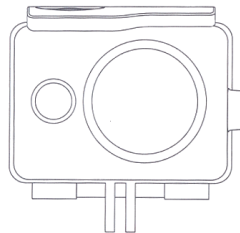
**Updating of the camera through the mobile application: first make sure, that phone is connected to the Internet, open the mobile application, after interface to the camera if there is a new version, phone will automatically request updating.**

### 7) Return to factory installations

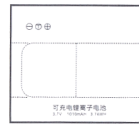
After inclusion of the chamber, press the button of power on and on button WIFI at the same time and keep them in current 2 seconds. After you will hear a sound signal, release these two buttons ---you have returned to factory installations, and your camera will automatically reboot.

## Accessories for Yi Camera

### 8) Accessories for Yi Camera



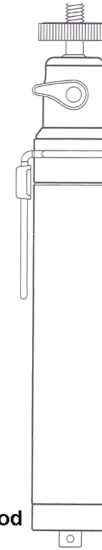
Water-proof case



Battery



Remote control



Monopod

[xiaomi-mi.com](http://xiaomi-mi.com)

## The main specifications of Yi Camera

**Lens:** F2.8 DFOV 1550

**Focal length:** 2.73 +-5%MM

**Video standard:** the highest supported standard 1080Px60fps

**Sensor:** Sony CMOS 16 - megapixel camera

**Weight:** 72g (Camera + battery)

**Standards of storage:** MICRO SDHC and Micro SDXC card

**Product Name:** Yi Camera

**In:** 1A 5V

**Standard consumption of energy:** 2 w

**Model:**YDXJ01XY

**The operating standard:** GB/T 29298-2012

XIAOMI-MI.com

## Presence of toxic and harmful substances

Name	Toxic and harmful substances or elements					
	Pb	Hg	Cd	Cr6+	PBB	PBDE
Basis of the camera	0	0	0	0	0	0
Battery	0	0	0	0	0	0
Cable	0	0	0	0	0	0
Circuit board	x	0	0	0	0	0
Explain	<p><b>O:</b> Toxic and harmful substances in all accessories of the given arrangement to occur in quantity below limiting value according to SJ/T11363-2006 "Requirements of restriction availability of poisonous and harmful substances in the goods".</p> <p><b>X:</b> Means availability of toxic and harmful substances at least in one of in accessories of the given arrangement in the quantity exceeding limiting value, according to SJ/T11363-2006 "Requirements of restriction availability of poisonous and harmful substances in the goods".</p>					

## Warranty Conditions

Into guarantee service enters:

- In current of 7 days from the moment of purchase if service center Mi will detect occurrence of a problem of an arrangement, you can return the goods or change it;
- In current of 15 days from the moment of purchase if service center Mi will detect occurrence of a problem of an arrangement, you can change the goods or take advantage of free corrective maintenance;
- In current of 12 months from the moment of purchase if service center Mi will detect occurrence of a problem of an arrangement, you can take advantage of free corrective maintenance.

## Warranty Conditions

Conditions of guarantee repair

The list of circumstances (including, but not being limited) at which warranty service is impossible:

- Completion of maintenance service, falling, the negligent attitude, abuse, hit of a liquid, accident if have torn or have covered a label and marks of an arrangement;
- Validity of a guarantee has ended;
- The damages which have arisen at force-majeur circumstances such, as: impact of a lightning, a fire or flooding.